

Installation Details for Pyramid Ceiling System

- 1- 8 mm Φ Rod
- 2- Junction box of open carrier
- 3- Open frame carrier
- 4- Open frame carrier
- 5- Sound insulation

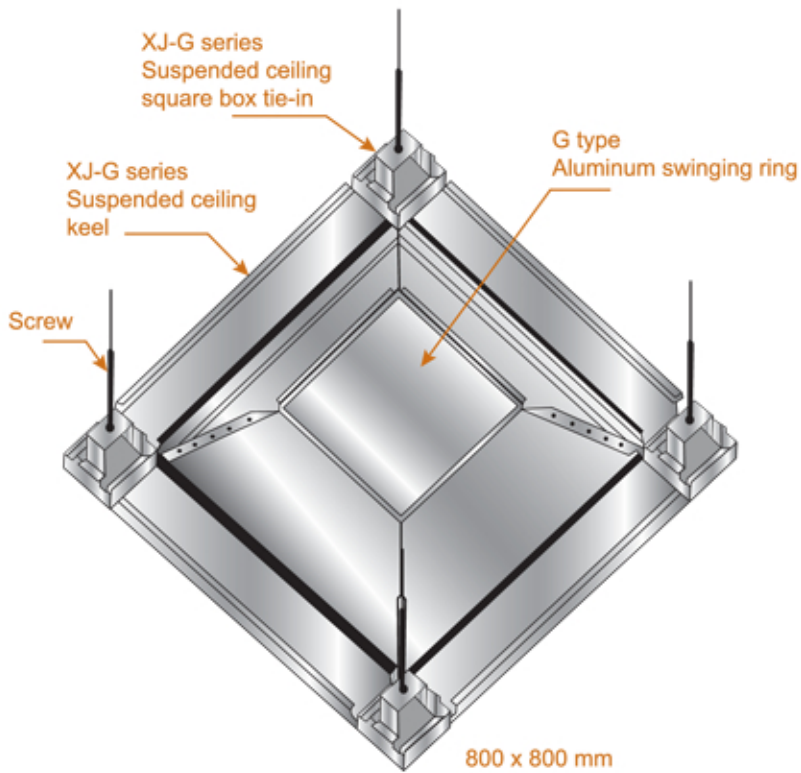
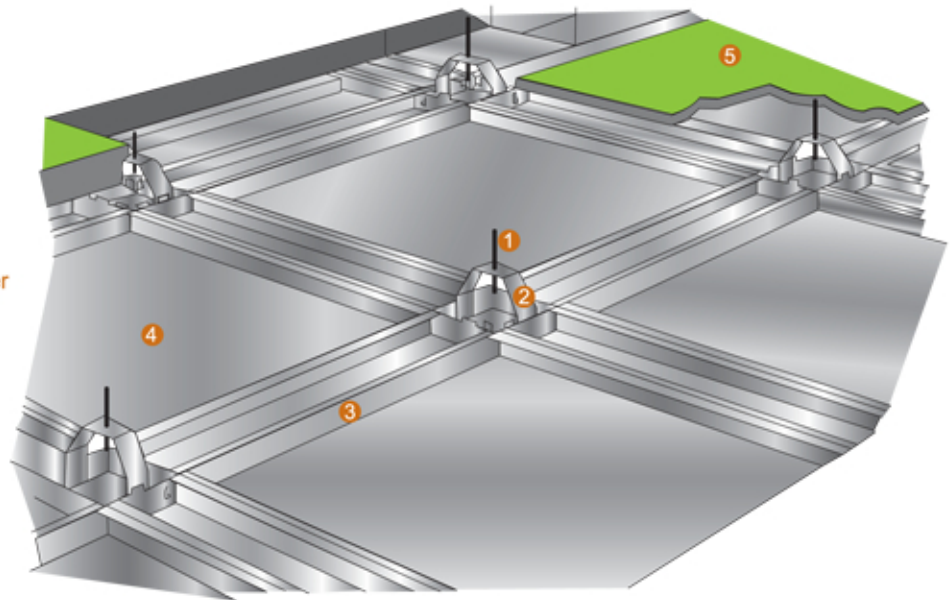
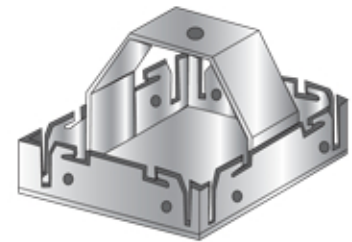
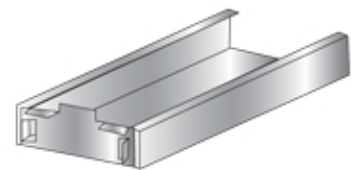


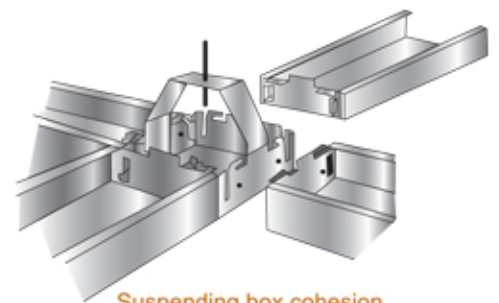
Chart of G type compound pinch plate
600 x 600 mm



Open frame suspending box



Open frame keel



Suspending box cohesion