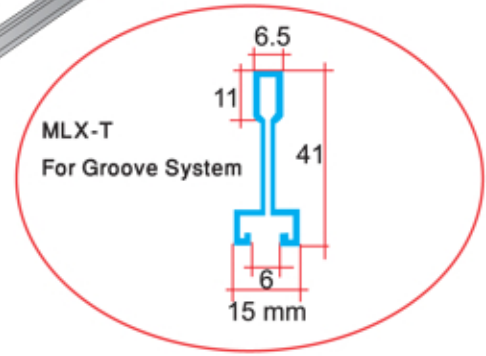
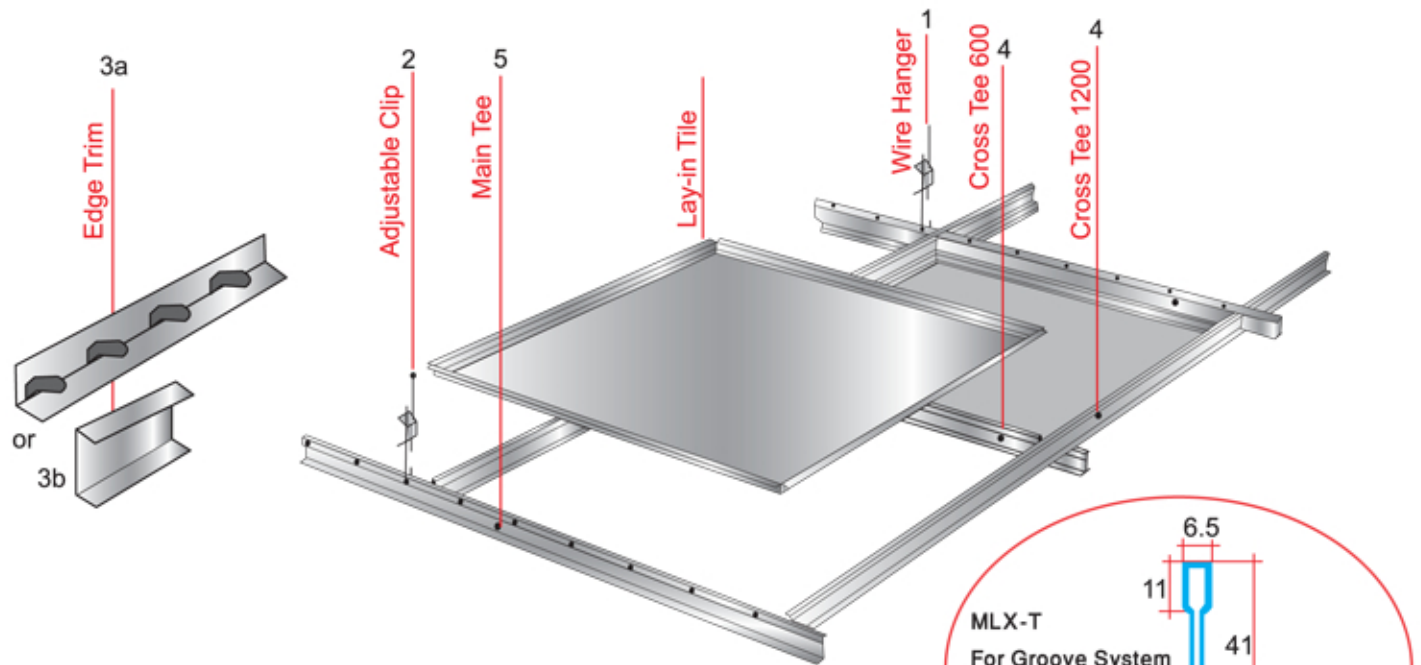


Installation Details for 300 x 300 mm Lay-In System



1- Wire Hanger
Type: Glvanized Steel Wire 2.5 mm diameter

2- Adjustment Clips
Type: 0.6 mm spring steel fixed to wire hanger

3- Edge trim
Type: 3a - 0.5 mm aluminum stove enameled edging at right angles to the panels
3b - 0.5mm Aluminium stove enameled edging at right angles to the panels 15x30x15mm in 4m length

4- Cross T60, 120
Type: 0.4 mm galvanized steel with 0.3 mm aluminium capping

5- Main T360
Type: 0.4 mm galvanized steel with 0.3 mm capping 40x24 mm in 3.6 mm length

